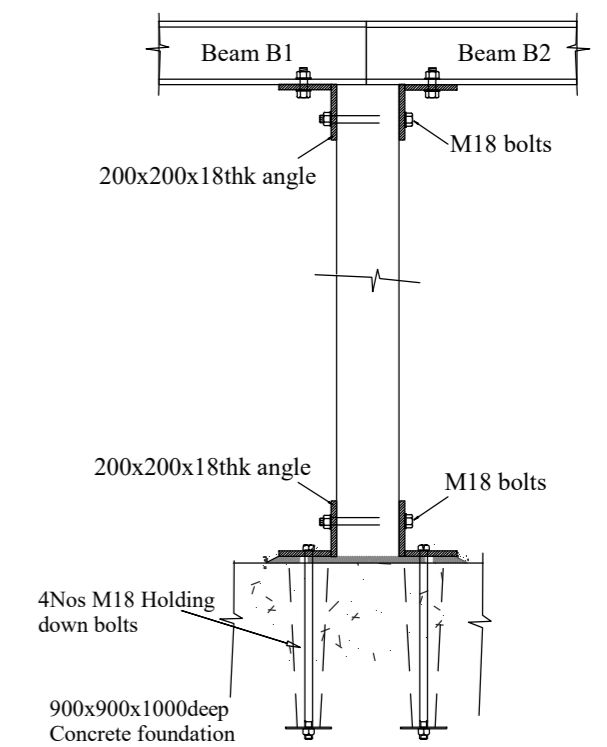
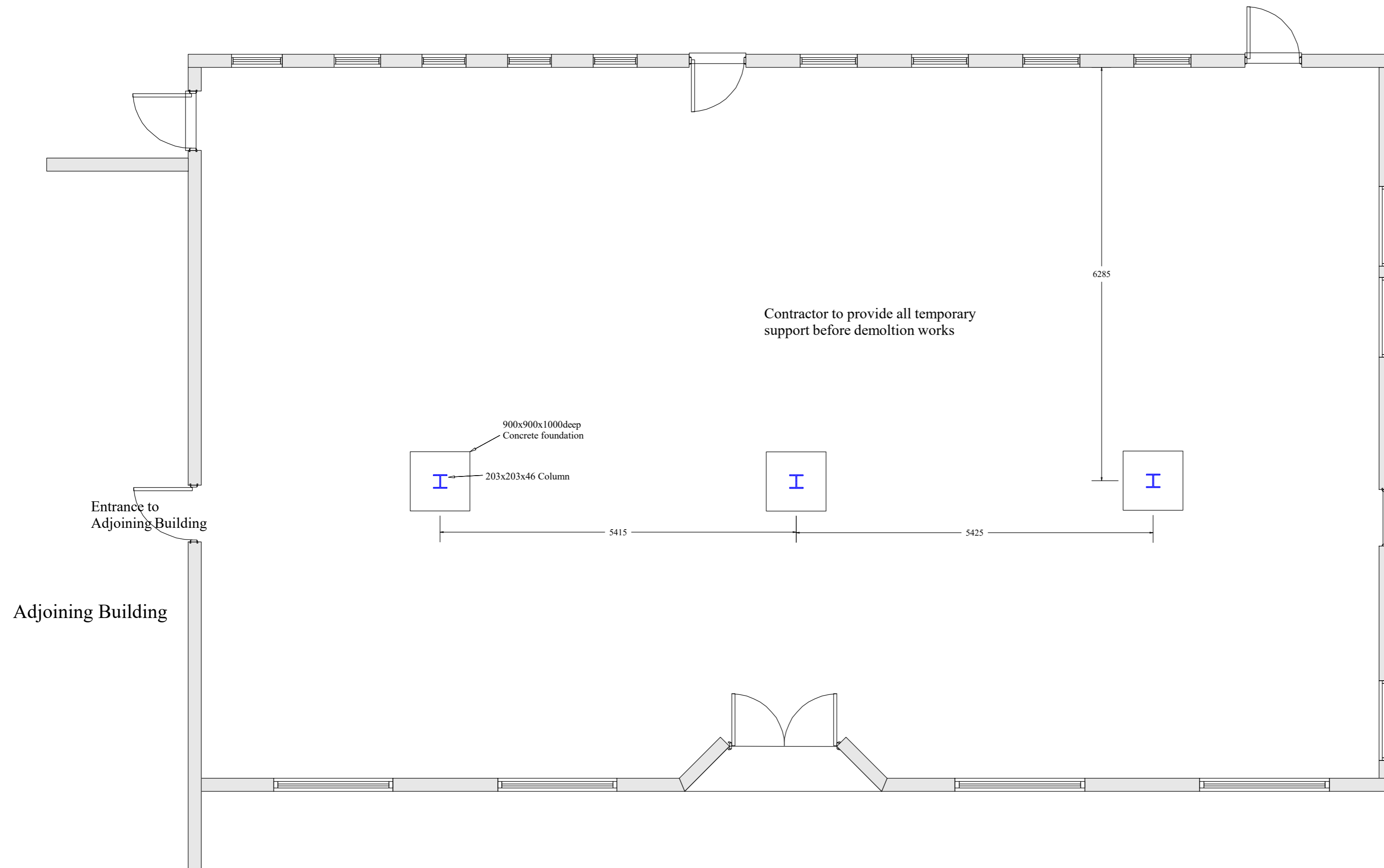


Car Park



DETAIL D9 1/25

FOUNDATION PLAN

Notes;
1 Refer Drawing No B201 for Notes

Revision	Description	Date
	Draft Planning Drawing	

Project; **Sri Guru Singh Sabha
Park Avenue, Southall**

Project Title;
**Removal of internal Timber
walls and Support to
Roof Structure**

Drawing No: B203	Revision;
Date: July 2024	Drawn by: AS
Scale: 1/50 @A2	Chkd by: MK